



## TECHNICAL DATA

### TYPE

**BIANCO** floodlight with low wind resistance. Comprehensive range available in five sizes with extensive optical and light distributions from 50W up to 400W to cover all applications. Can be tilted in all directions thanks to its fixing galvanized and painted bracket.

### CHARACTERISTICS

LEDs: 3030

Nominal efficacy: 120LM/W

Maximum LED: 1000mA

Lifetime L90B10:>50,000 hours

Luminous flux and efficacy aht 4000°K and CRI>70

Luminous flux tolerance <+/-3%

Values may be subject to change du LED binning.

### OPENING/BEAM

High efficiency Ra>80 LED. 120°

### MATERIAL

Die-cast aluminium, Transparent 4mm

tempred-Glass

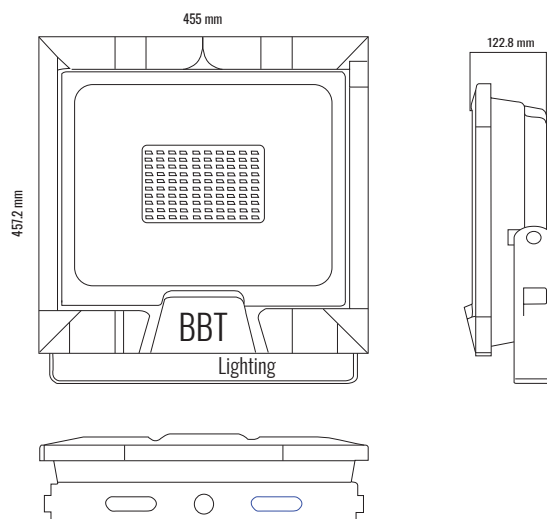
Aluminum frame

Steel Galvanized and painted bracket



Model:	BIANCO
Format:	Square
Location:	Exterior
Wattage:	400W
Materials:	Aluminium
Led Color:	6500K
Product Dimension:	457*455*123mm
IP Code:	65
Fixation:	Surface
CRI :	80
Luminous Efficacy :	120Lm/W
Lumen Output:	48000LM
Driver:	BBT
LED Chip:	Lumileds
Frequency:	50/60 Hz
Beam Angle:	120°
Net weight:	11.14kgs

## DIMENSION DRAW



**OUTDOOR**